

# Under the Sea Let's Go fishin™



**For 1-4 Players  
Ages 4 & Up**

## **CONTENTS:**

Deluxe Motorized Game Board, 21 Colorful Fish,  
4 Plastic Fishing Poles

## **OBJECT OF THE GAME:**

To catch as many fish as possible.

## **SETTING UP THE GAME:**

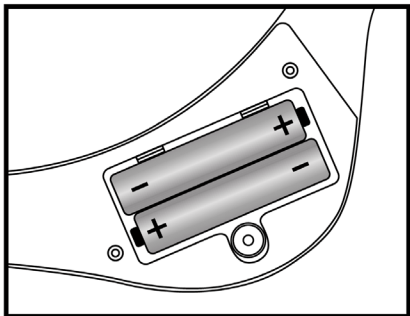
Slide the turtle-shaped ON/OFF switch (located on top of the game unit) to the OFF position. Locate the battery compartment on the bottom of the game unit. Using a screwdriver, open the battery compartment and insert 2 AAA batteries in the direction indicated inside the battery compartment. Adult supervision is **REQUIRED** when installing batteries. Close the battery compartment once the batteries are inside and secure the compartment with the screw. Flip the game unit back over and place the fish, face up, in the holes on the rotating blue disk. Each player takes a fishing pole. Turn the battery switch to the ON position; the blue disk will start rotating and the fish mouths will open and close.

**PLAYING THE GAME:** As the game rotates all players simultaneously try to catch as many fish as possible. Players use their fishing pole to hook the fish and lift them away from the game unit one at a time.

**WINNING THE GAME:** After all the fish have been caught, the game is over. Each player counts the fish they caught, and the player with the most fish is the winner. Before placing your game unit back into the box, manually spin the rotating blue disk so that **ALL** fish are in the down position.

**CAUTION:** Changes or modifications not expressly approved by the party responsible for compliance could void the user's authority to operate the equipment.

**IMPORTANT:** Let's Go Fishin'<sup>™</sup> requires 2 AAA batteries (not included). Do not mix alkaline, standard (carbon-zinc), or rechargeable batteries. Remove batteries from the game unit when it is not expected to be in use for several months. Do not dispose of batteries in fire. Batteries are to be disposed of per your municipality, state or provincial regulations. Non-rechargeable batteries are not to be recharged. Rechargeable batteries are only to be charged under adult supervision. Rechargeable batteries are to be removed from the toy before being charged. Different types of batteries or new and used batteries are not to be mixed. Batteries are to be inserted with the correct polarity. Exhausted batteries are to be removed from the toy. The supply terminals are not to be short-circuited.



**CAUTION:** Changes or modifications not expressly approved by the party responsible for compliance could void the user's authority to operate the equipment.

**Pressman**  
SINCE 1922

We appreciate your comments on this game. Please send your correspondence to:  
custserv@pressman-toy.com

Our Customer Service Department can be reached Monday through Friday (except during holidays) from 10:00 am CST to 4:00 pm CST at 855-258-8214.

© 2018 Pressman Toy Corporation, 3701 West Plano Parkway, Suite 100, Plano, TX 75075. Colors and contents may vary from those illustrated. Warning: Not suitable for children under three years, due to small parts. Choking hazard. This packaging must be retained as it contains important information. Made in Guangdong, China. Visit our website at: [www.pressmantoy.com](http://www.pressmantoy.com)

Distributed under license in Australia by Crown & Andrews Pty Ltd, Unit D, 21 Loyalty Road, North Rocks, NSW 2151, Australia. P: +61 2 98983555  
E: [sales@crowbandandrews.com.au](mailto:sales@crowbandandrews.com.au) [www.crowbandandrews.com](http://www.crowbandandrews.com)



0056A10\_v2\_0418